



V-Series

Toggle Valves

VUK SERIES

Thanks to you!



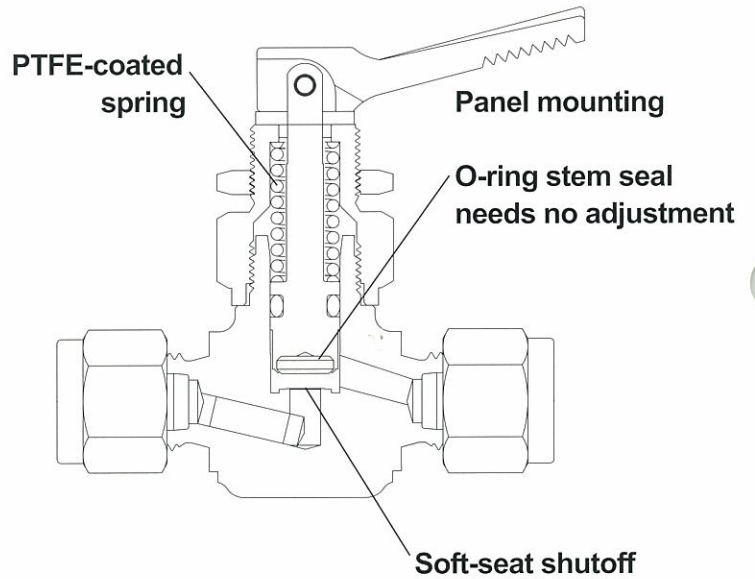
Fujikin Corp. Group

Features

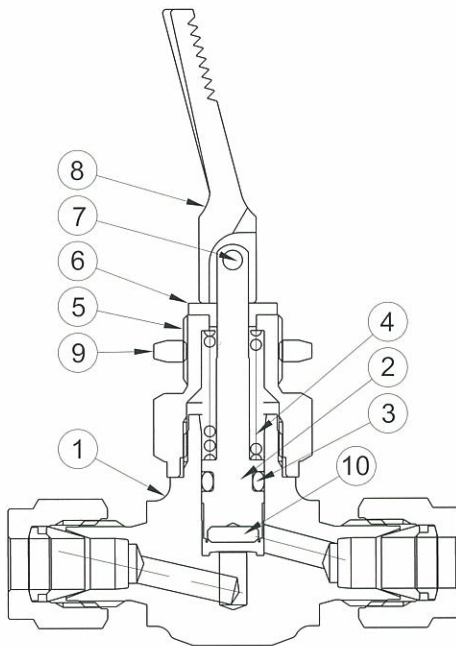
- Compact design
- Opens and Closes quickly
- Variety of End Connections

Technical Data

Temperature	Working Pressure
°F (°C)	psig (bar)
-20~200 (-28~93)	200 (13.7)



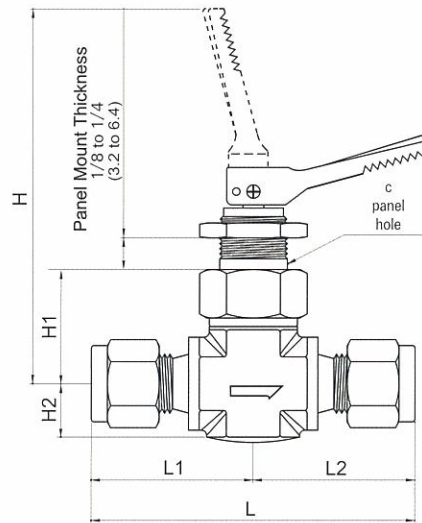
Materials of Construction



No.	Name of Parts	Material
1	BODY	ASTM A182 F 316
2	STEM	ASTM A276 316
3	O-RING	FKM
4	SPRING	SUS631J1
5	PACKING NUT	ASTM A276 316
6	WASHER	NYLON
7	ROLL PIN	ASTM A276 304
8	HANDLE	NYLON
9	PANEL NUT	ASTM A276 304
10	STEM TIP	PTFE
Lubricants		Fluorinated-based

Dimensions

Straight Pattern



Size	Working Pressure psig(bar)	Orifice in.(mm)	Dimensions,in.(mm)						Ordering Number
			L	L1	L2	H	H1	H2	
1/4in.	200(13.7)	0.125(3.2)	2.26(57.4)	1.13(28.7)	2.81(71.4)	0.86(21.8)	0.38(9.5)	0.53(13.5)	VUK-91P-6.35
3/8in.		0.250(6.4)	2.58(65.5)	1.29(32.8)					3.56(90.4)
1/2in.			2.80(71.1)	1.40(35.6)	2.81(71.4)	0.86(21.8)	0.38(9.5)	0.53(13.5)	VUK-91P-12.7
6mm		0.125(3.2)	2.26(57.4)	1.13(28.7)	2.81(71.4)	0.86(21.8)	0.38(9.5)	0.53(13.5)	VUK-91P-6
8mm			2.22(56.4)	1.11(28.2)					VUK-91P-8
10mm			0.250(6.4)	2.72(69.1)	1.36(34.5)	3.56(90.4)	1.06(26.9)	0.50(12.7)	0.66(16.8)

Ordering Information

VUK — 91P — 6.35

①②③ — ④⑤⑥ — ⑦

- | | | |
|--|--|--|
| <p>① Valve Series</p> <p>② Body Material
ASTMA182 F316</p> <p>③ Valve Type
Toggle Valves</p> | <p>④ Connection Type
V- Lok Type</p> <p>⑤ Working Pressure
200psig(13.7bar)</p> <p>⑥ Panel Nut</p> | <p>⑦ Connection Size</p> <p>1/4in.</p> <p>3/8in.</p> <p>1/2in.</p> <p>6mm</p> <p>8mm</p> <p>10mm</p> |
|--|--|--|

